

# HEATER

(FOR ALL PRODUCTS EXCEPT DR3-C)

## PART # 800230

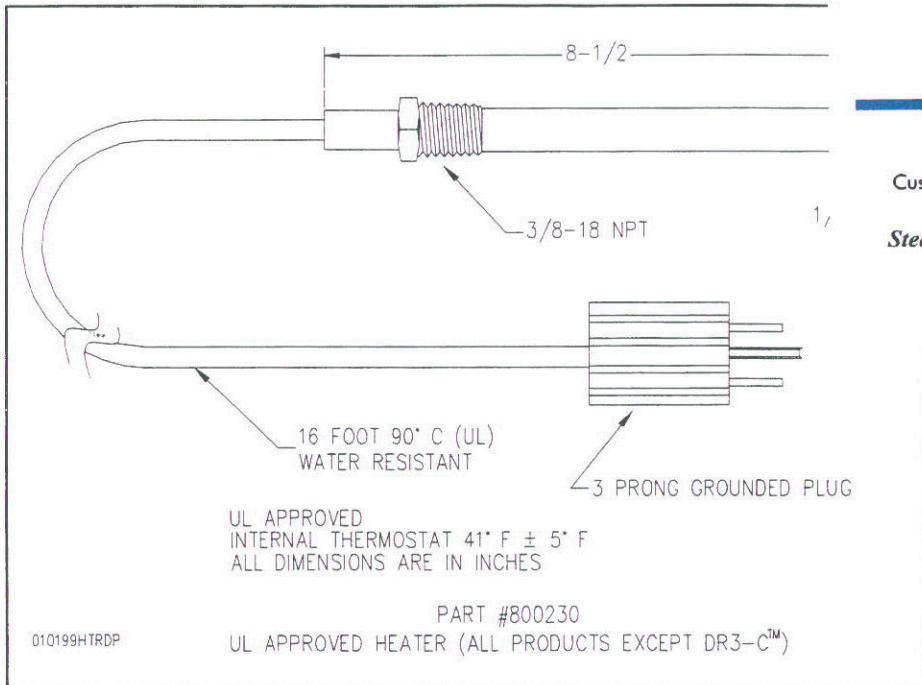


**Janice Moody**  
Customer Sales / Service

*Steam—Vacuum—Water  
Air*

2503 Monroe Drive  
Gainesville, GA 30507  
(800) 752-0556

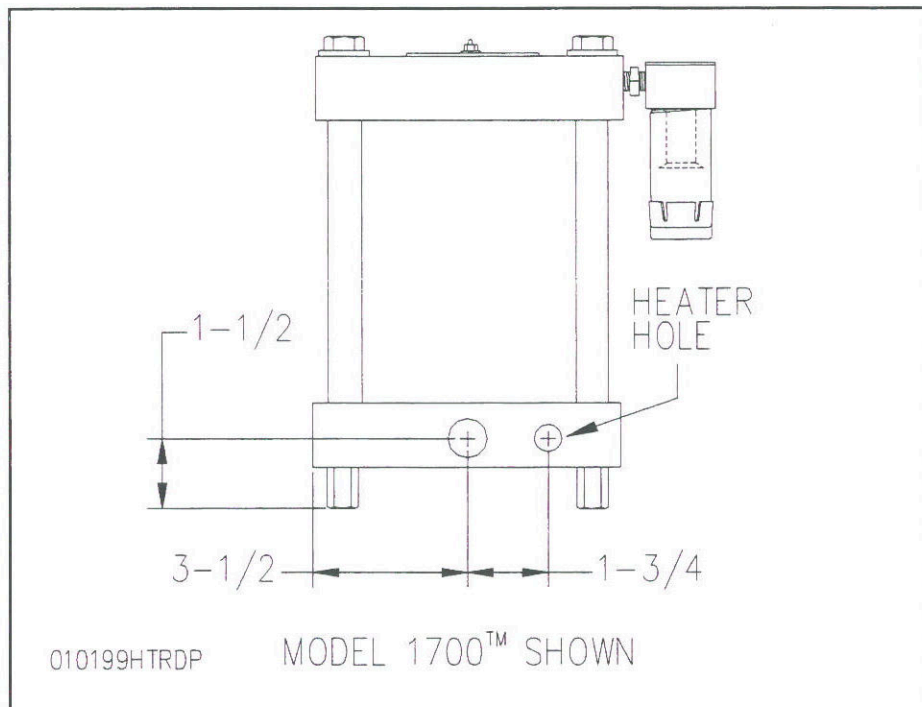
Local: (770) 532-7736  
Fax: (770) 535-0536  
Cell Phone: (706) 318-4872  
Home Phone: (706) 865-6176  
Email: [janicemoody@bellsouth.net](mailto:janicemoody@bellsouth.net)



Drain-All, Inc., is an engineering, manufacturing and marketing company, with an ISO 9002 certified quality system. Drain-All, Inc. provides unique, high quality, reliable product solutions for draining and moving liquids such as: (1) condensate removal from compressed air systems, (2) oils and lubricants from manufacturing or test equipment, and (3) liquids from atmospheric and vacuum systems.

In 1982 Drain-All, Inc. developed a world class automatic liquid drain valve and was granted several patents on that design. Not only are these patents still current today, they are being expanded and new ones are being added to provide an ever broadening range of application solutions.

Drain-All products are industrially robust, require little maintenance and since they do not require any electrical connections, can be easily installed on equipment at any point in a system. These patented devices are backed by an excellent warranty and a strong technical support staff who are available to assist customers in developing engineered solutions for all of their liquid drainage problems. The Drain-All, Inc. product line includes a wide array of products, options and accessories which enable customers to customize their particular liquid drainage systems. A world-wide network of full service Drain-All distributors has been established who are dedicated to providing outstanding local sales and service support.



**Drain-All Quality System is ISO 9002 Certified**

United States Patents  
4,444,217 4,562,855 4,574,829 5,004,004 5,014,735