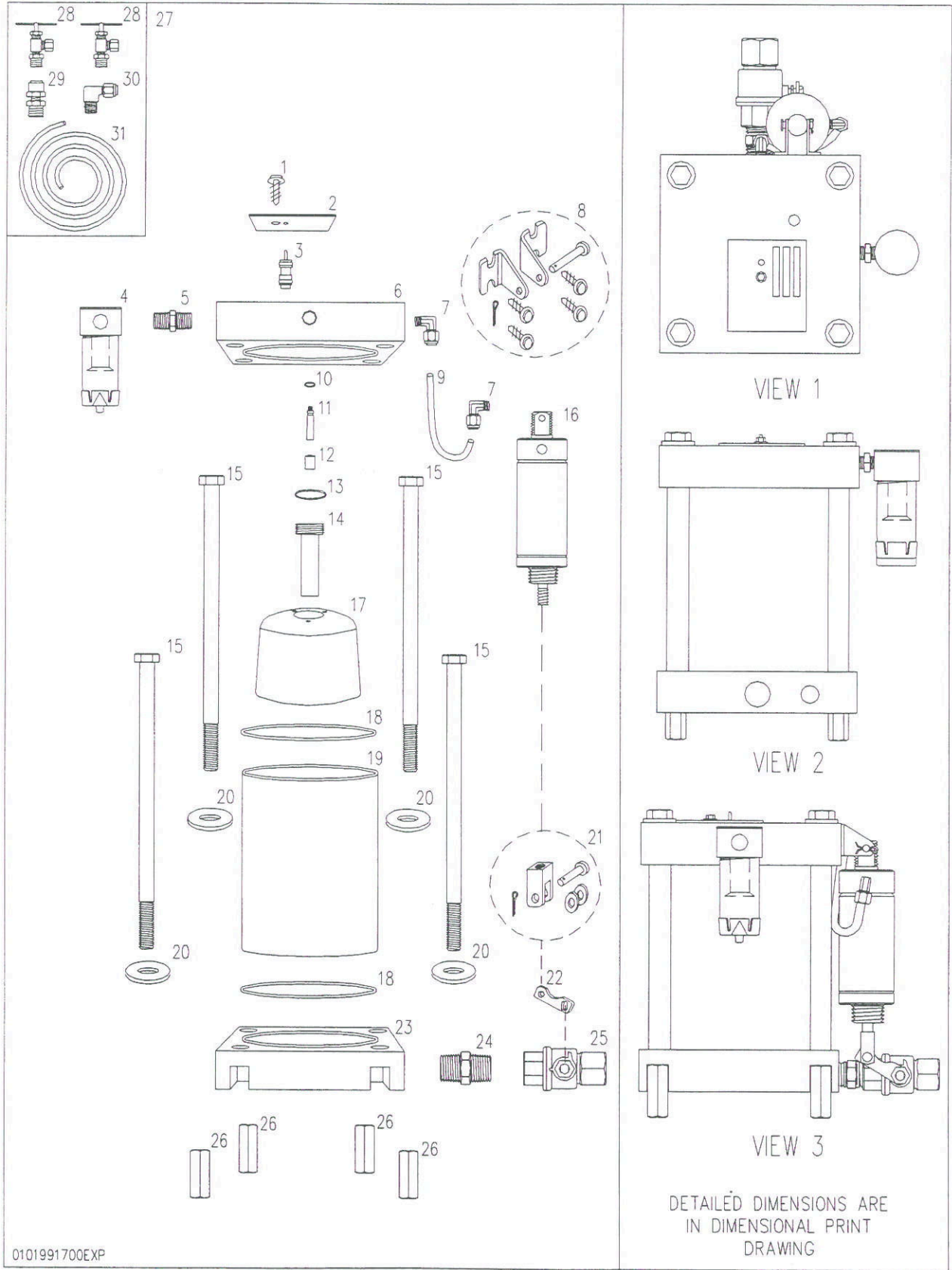




MODEL 1700™ COMPONENT PARTS DRAWING



0101991700EXP

DETAILED DIMENSIONS ARE
IN DIMENSIONAL PRINT
DRAWING