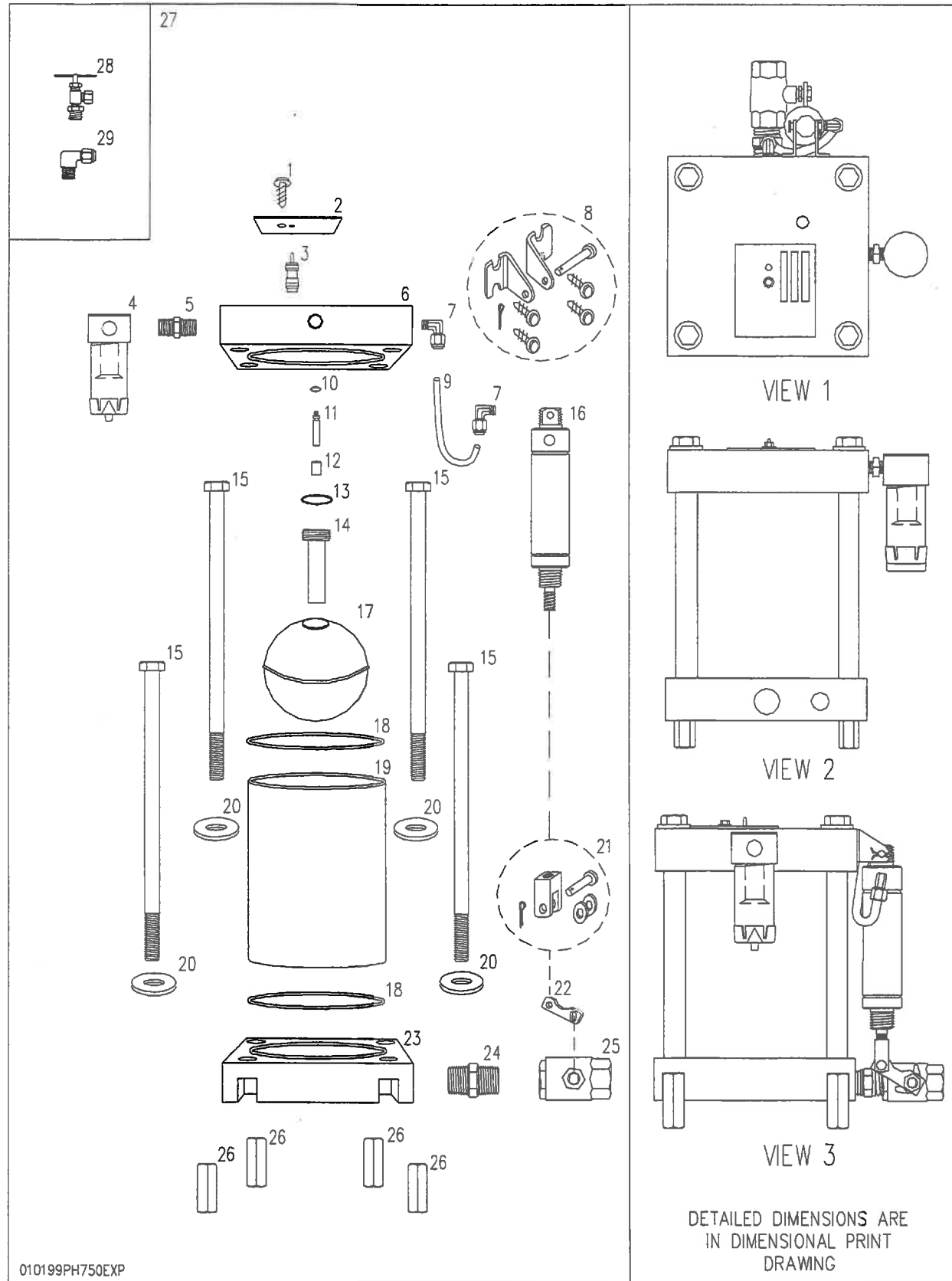




PRESSURE HANDLER™ - 750 COMPONENT PARTS DRAWING



010199PH750EXP



PRESSURE HANDLER™ - 750

PARTS & MATERIALS OF CONSTRUCTION

CODE	PART #	ITEM	DESCRIPTION/REMARKS	Qty
1	302500	Screw, Self-Tapping, #10 x 5/8" L	Zinc Plated Steel	1
2	302806	Name Plate	Aluminum	1
3	300600	Push to Test Button, 0.380" Dia x 1.265" L	Brass	1
4	300700	Control Air Filter Assembly, 1/4" NPT	Aluminum Head, Polycarbonate Bowl, Push Drain	1
5	300800	Hex Nipple, 1/4" NPT, 1-1/8" L	Brass	1
6	250170	Head, 7"x7"x1-1/2", 0.210" Groove	6061-T6 Aluminum	1
7	301000	Elbow Fitting, 1/8" NPT - 1/4" Tube	Brass	2
8	300301	Cylinder Mount Kit	Includes:	1
			(2) Brackets-Electroless Nickel Plated	
			(4) Screws-Zinc Plated Steel	
			(1) Mount Pin-Electroless Nickel Plated	
			(1) Cotter Pin-Stainless Steel	
9	350350	Control Air Tube, 1/4" Dia x 6" L	Nylon	1
10	302210	Valve Stem O-ring, 0.235" ID x 0.069" T	Viton, Brown	1
11	100731	Valve Stem, 0.363" Dia x 2.009" L	O-ring Seal, 6061-T6 Aluminum	1
12	400100	Inner Magnet, 0.895" Dia x 1.450" L	Ceramic with Viton Ends and Covering	1
13	302215	Center Tube O-ring, 1.096" ID x 0.069" T	Viton, Brown	1
14	200171	Center Tube, 1.150" Dia x 4.300" L	O-ring Seal, 6061-T6 Aluminum	1
15	302270	Hex Bolt, 1/2" - 13 x 10" L	Zinc Plated Steel	4
16	350300	Pneumatic Cylinder, 1.25" Dia	80 - 130 PSI, Stainless Steel Body and Rod, Aluminum Ends	1
17	100470	Float	Stainless Steel, Spherical	1
18	302250	Sleeve O-ring, 6.134" ID x 0.137" T	Viton, Black	2
19	100305	Sleeve, 6" ID x 7" L x .187" T	Epoxy Fiberglass, Translucent	1
20	301570	Washer, 1/2" SAE	Zinc Plated Steel	4
21	300303	Clevis and Pin Kit	Includes:	1
			(1) Clevis-Electroless Nickel Plated	
			(1) Clevis Pin-Electroless Nickel Plated	
			(2) Washers-Zinc Plated Steel	
			(1) Cotter Pin-Stainless Steel	
22	100800	Control Lever, 1.625" L x 0.500" W x 0.125" T	Stainless Steel for 1/2" NPT Ball Valve	1
23	250270	Base, 7"x7"x1-1/2", 1/2"NPT, 0.210" Groove	6061-T6 Aluminum	1
24	300900	Hex Nipple, 1/2" NPT, 1-1/2" L	Brass	1
25	300210	Heavy Duty Ball Valve, 1/2" NPT	Double O-ring Viton Stem Seals, Stainless Steel	1
26	302370	Coupling Nut, 1/2" - 13 x 1-3/4" L	Zinc Plated Steel	4
27	351135	Installation Kit	Includes:	1
28			(1) Needle Valve-Brass	
29			(1) Elbow Fitting-Brass	

overhaul kit =

- (1) 302210 valve stem o-ring
- (1) 302215 center tube o-ring
- (2) 302250 sleeve o-rings
- (1) 400100 inner magnet
- (1) 302700 filter element