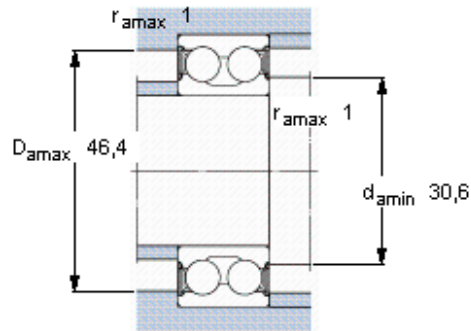
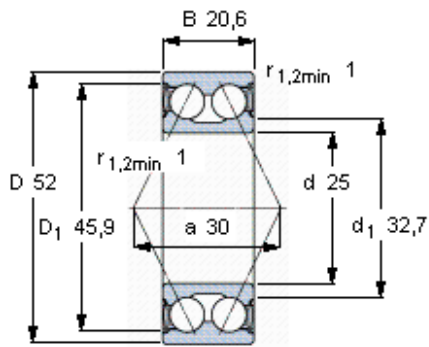


Angular contact ball bearings, double row

Principal dimensions			Basic load ratings		Speed ratings	Limiting speed	Designation
d	D	B	dynamic C	static C0	Reference speed		* SKF Explorer bearing
mm			kN		r/min		-
<b>25</b>	52	20,6	21,6	14,3	-	8500	<b>3205 A-2RS1 *</b>



**Calculation factors**

- k<sub>r</sub> 0,06
- e 0,8
- X 0,63
- Y<sub>1</sub> 0,78
- Y<sub>2</sub> 1,24
- Y<sub>0</sub> 0,66