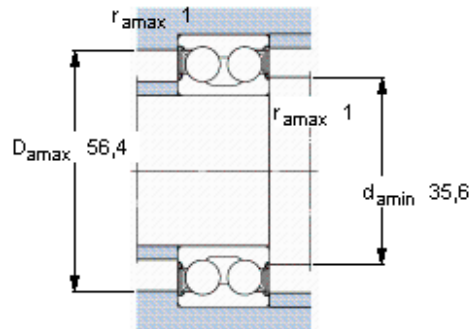
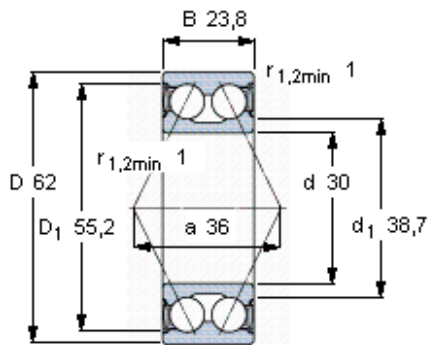


Angular contact ball bearings, double row

Principal dimensions			Basic load ratings		Speed ratings	Limiting speed	Designation
d	D	B	dynamic C	static C0	Reference speed		* SKF Explorer bearing
mm			kN		r/min		-
30	62	23,8	30	20,4	-	7500	3206 A-2RS1 *



Calculation factors

- k_r 0,06
- e 0,8
- X 0,63
- Y₁ 0,78
- Y₂ 1,24
- Y₀ 0,66