

**ARMSTRONG PUMP PARTS COMPARISON BULLETIN**  
**HORIZONTAL CIRCULATORS and COMPARATIVE MODELS**

This bulletin is offered for the convenience of purchasers, users, and those who specify pumps and/or parts and wish to select quality Armstrong products comparable to others made by leading manufacturers in the hydronic industry. The list below references horizontal in-line circulators while inside pages provide a comprehensive parts interchangeability list from Bell & Gossett to Armstrong.

ARMSTRONG		B&G		TACO		THRUSH	
S-25	1/12 hp	SERIES 100	1/12 hp	#110	1/8 hp	MODEL R	1/12 hp
S-35	1/6 hp	2"	1/6 hp	#120	1/6 hp	22C	1/4 hp
S-45	1/4 hp	2 1/2"	1/4 hp	#121	1/4 hp	22 1/2 C	1/4 hp
S-45	1/4 hp	LD3	1/4 hp	#122	1/4 hp	23C	1/4 hp
S-46	1/3 hp	HD3	1/3 hp	#131	1/3 hp	RC-0	1/3 hp
S-55	1/2 hp	PD-35	1/2 hp	#132	1/2 hp	RC-1	1/2 hp
S-57	3/4 hp	PD-37	3/4 hp	#133	3/4 hp	RC-2	3/4 hp
S-69	1 hp	PD-38	1 hp	#138	1 hp		—
S-69	1 hp	PD-40	1 1/2 hp		—		—
H-32	1/6 hp	HV	1/6 hp	#111	1/8 hp	HH	1/6 hp
H-41	1/6 hp	1" PR	1/6 hp	#113	1/8 hp	TC	1/6 hp
H-51	1/4 hp	60-11	1/4 hp	#1600	1/4 hp	GT-1	1/4 hp
H-52	1/3 hp		—	#1610	1/3 hp	GT-2	1/3 hp
H-53	1/2 hp	60-13	1/2 hp	#1612	1/2 hp	GT-4	3/4 hp
H-54	3/4 hp	60-14	3/4 hp	#1632	3/4 hp	GT-5	3/4 hp
H-63	1/2 hp	60-15	1/2 hp	#1612	1/2 hp		—
H-64	3/4 hp	60-16	3/4 hp	#1614	3/4 hp		—
H-65	1 hp	60-17	1 hp	#1616	1 hp		—
H-66	3/4 hp		—	#1632	3/4 hp		—
H-67	1 hp	60-19	1 hp	#1634	1 hp		—
H-68	1 1/2 hp	60-20	1 1/2 hp	#1636	1 1/2 hp		—
2D 1000	2 hp	60-21	2 hp		—		—

Information given above is in the order of Model Number and Motor Horsepower, and applies to Standard or Bronze Models. Blank spaces indicate no comparative stock model is known or available.




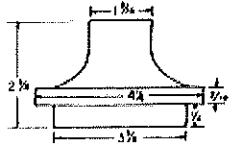
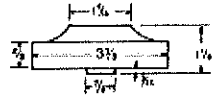
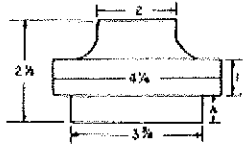

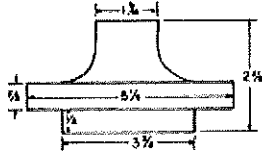
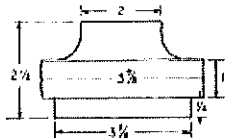
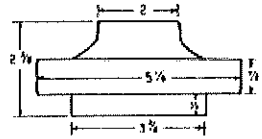
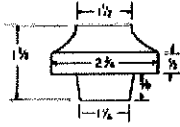
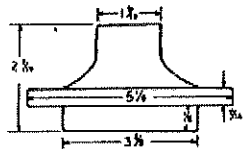
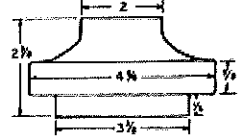
24/7 Customer Service:  
Toll Free: 1-800-752-0556

Int'l: +1-770-532-7736  
Email: info@control-specialties.com

Armstrong				B&G Equivalent		
Model	Size	Part #	Description	Model	Old Part #	New Part #
<b>BODIES</b>						
S-25		805482-011	CI	75 to 150	P4-51	118339
		805482-041	BR		PB4-51	118413
S-34		816402-011	CI	1½, HV	No equivalent	
H-32		816402-041	BR		No equivalent	
S-35		816327-011	CI	2	No equivalent	
		816327-041	BR		No equivalent	
S-45		805484-011	CI	2½, LD3, HD3	P2Z-121	118644
S-46		805484-041	BR		PB2Z-121	P07610
H-41		811240-011	CI	1PR	P9Z-41	118637
		811240-041	BR		PB9Z-41	P07670
S-55		804133-011	CI	PD35, PD37	PD1-121	118449
S-57		804133-041	BR		PDB1-121	P09290
S-69		816339-011	CI	PD39	No equivalent	
		816339-041	BR		No equivalent	
H-51		816337-011	CI	60-1 (Old), 60-11 (New)		186384
		816337-041	BR			186385
H-52		816337-011	CI	60-2 (Old)	No equivalent	186386
		816337-041	BR			
H-53		816337-011	CI	60-3 (Old), 60-13 (New)		186389
		816337-041	BR			P57130
H-54		816338-011	CI	60-4 (Old), 60-14 (New)	PWH-81	186392
		816338-041	BR		PWH-81CB	P67200
H-63 to H-65		816397-011	CI	60-5 to 60-7 (Old), 60-15 to 60-17 (New)	No equivalent	
		816397-041	BR		No equivalent	
H-66 to H-68		816174-011	CI	60-8 to 60-10 (Old), 60-15 to 60-21 (New)	No equivalent	
		816174-041	BR		No equivalent	
<b>COUPLER ASSEMBLIES</b>						
<b>Counter Clockwise Rotation</b>						
S-25, S-34, S-35, H-32, H-41		†806026-001	½ x ½	75 to 150, 1½, 2, HV, PR	PZ-4291 P11Z-4291	118705 189110, 118712
S-45, S-46		†806168-001	½ x ½	2½, LD3, HD3	P2Z-12291	118723
<b>Clockwise Rotation</b>						
S-55, S-57		††810120-006 *806137-000 806140-000	½ x ½ ½ x ¾ ½ x ¾	PD35, PD37	P4Z-4291 P4Z-4291 P2Z-4291	118709 118709 118708
H-51, H-52		††810120-003 *807436-000	½ x ½ ½ x ½	60-1, 60-2 (Old), 60-11 (New)	PDZ-12291	118473
H-53, H-54		††810120-006 *806137-000	½ x ¾ ½ x ¾	60-3, 60-4 (Old), 60-13, 60-14 (New)	P4Z-4291 P4Z-4291	118709 118709
S-69, H-63 to H-68		††810120-008 *812734-000 *816665-000	¾ x ¾ ¾ x ¾ ¾ x ¾	PD39, 60-5 to 60-10 (Old), 60-15 to 60-21 (New)	PWHZ-6291 PWHZ-6291 PD27-12291	186410 186410 118476, P77265
† 4-Spring type coupler.						
†† 4-Spring type coupling. For use on B&G circulators only.						
* Flexible spacer type coupling.						
<b>COUPLER/MOUNTING RING KIT</b>						
For B&G Pumps Only		810120-004 810120-005		75 to 150, 2, HV, PR, 1, 1½, 1½, 2		118706 118707
<b>MOTOR MOUNTING RINGS (Resilient Motors)</b>						
48 Frame Marathon Motors	½, ¾, 1, 1½ hp	810120-050		100 Series ½ hp	—	118223 (API P/N 810120-000)
56 Frame 1 Phase & 3 Phase Marathon Motors	½-1 hp	874055-000		¾ hp	—	118227 (API P/N 810120-001)
56 Frame Marathon 1 Phase Double Capacitor Motors Only	½, ¾ hp	874055-001		¾, 1, 1½ hp	—	118228 (API P/N 810120-002)

Armstrong				B&G Equivalent				
Model	Diameter	Part #	Description	Model	Dia	Old Part #	New Part #	
<b>IMPELLERS</b>								
S-25	2 1/4"	812961-011	ST	75-150	2 1/4"	P3600S-0311Z	118840	
	2 1/4"	812961-111	NFI		2 1/4"	P4Z-335	189132	
	2 1/4"	812961-041	BR		2 1/4"	PB4Z-335	118431	
S-34	3 3/4"	816322-012	ST	1 1/2		No equivalent		
	3 3/4"	816322-042	BR			No equivalent		
	3 3/4"	806331-111	NFI			No equivalent		
S-35	3 3/4"	816322-011	ST	2		No equivalent		
	3 3/4"	816322-041	BR			No equivalent		
	3 3/4"	816322-111	NFI					
H-32	3 3/4"	816322-011	ST	HV		No equivalent		
	3 3/4"	816322-041	BR			No equivalent		
	3 3/4"	816556-011	ST		2, HV	3 3/4"	P2Z-835	118668
	3 3/4"	816556-041	BR			3 3/4"	PB2Z-835	118436
	3 3/4"	816556-111	NFI					
S-45	3 3/4"	816305-028	ST	2 1/2, 3LD	3 3/4"	P4Z-1235	118676	
	3 3/4"	816305-058	BR		3 3/4"	PB4Z-1235	118440	
	3 3/4"	816305-328	NFI					
S-46	4 1/4"	816305-025	ST	3HD	4 1/4"	P3Z-1235	118675	
	4 1/4"	816305-055	BR		4 1/4"	PB3Z-1235	118439	
	4 1/4"	816305-325	NFI					
S-55	4 3/4"	816304-021	ST	PD35	4 3/4"	PW1Z-1235	118630	
	4 3/4"	816304-051	BR		4 3/4"	PWB1Z-1235	118627	
	4 3/4"	816304-321	NFI					
S-57	5 1/2"	816304-017	ST	PD37	5 1/2"	PWZ-1235	118629	
	5 1/2"	816304-047	BR		5 1/2"	PWBZ-1235	118626	
	5 1/2"	816304-317	NFI					
S-69	5 1/2"	816308-012	ST	PD39		No equivalent		
	5 1/2"	816308-042	BR			No equivalent		
H-41	4 1/2"	816301-025	ST	1 PR	4 1/2"	PRZ-435	118830	
	4 1/2"	816301-055	BR		4 1/2"	PRBZ-435	118612	
	4 1/2"	816301-325	NFI					
H-51	5"	816302-019	ST	60-11	5 1/4"	PW13Z-335	186441	
	5"	816302-049	BR		5 1/4"	PWB13Z-335	186359 & 186360	
	5"	816302-319	NFI		5 1/4"			
H-52	5 1/4"	816302-017	ST	60-2	5 1/4"	PW13Z-335	186441	
	5 1/4"	816302-047	BR		5 1/4"	PWB13Z-335	186359	
	5 1/4"	816302-317	NFI					
H-53	5 1/2"	816303-017	ST	60-13	5 1/4"	PW23Z-535	P61010	
	5 1/2"	816303-047	BR		5 1/4"	PWB23Z-535	186368	
	5 1/2"	816303-317	NFI					
H-54	5 1/4"	816304-017	ST	60-14	5 1/4"	PWZ-1235	118629	
	5 1/4"	816304-047	BR		5 1/4"	PWBZ-1235	118626	
	5 1/4"	816304-317	NFI					
H-63	6 1/2"	174058-021	CI	60-15		No equivalent		
	6 1/2"	874058-051	BR					
H-84	6 1/2"	174058-015	CI	60-16		No equivalent		
	6 1/2"	874058-045	BR			No equivalent		
H-85	7"	174058-011	CI	60-17		No equivalent		
	7"	174058-041	BR			No equivalent		
H-66	5 1/4"	816393-052	BR	60-18		No equivalent		
H-67	6 1/4"	816393-047	BR	60-19		No equivalent		
H-68	6 3/4"	816393-043	BR	60-20		No equivalent		
For B&G Pumps Only	7"	816309-041	BR	60 1-1/2A	various		P57445	
	7"	816310-041	BR	60 2A	various		P57450	
	6"	816311-041	BR	PD-38, 39, 40	various	P08690	118453	

Model	Size			Model	Old Part #	New Part #
<b>SEAL KITS</b>						
S-25 to S-35, S-46	1/2"	816706-001	BR	75 to PD37, HV to 60-14	#7 Kit	118681
H-32 to H-41	1/2"	816706-002	ST		#6 Kit	186681
S-55 to S-57 & H-51 to H-54 & all 1050s	1/2"	816706-003	Viton BR		No equivalent	
For B&G Pumps Only	3/4"	816706-004	Viton ST		No equivalent	
	3/4"	810120-009		PD38-40, 60A BF or AB		186499
S-69, H-63 to H-68	3/4"	816707-001	BR	PD39, 60-15 to 60-20	No equivalent	
	1/2"	816707-002	ST		No equivalent	
	3/4"	816707-003	Viton BR		No equivalent	
	3/4"	816707-004	Viton ST		No equivalent	
	1/2"	816707-005	TFE		No equivalent	

<p>S-25</p>  <p>(SERIES 100)</p>	<p>812961-011 STEEL 812961-041 BRASS</p> <p>REPLACES: 118431 BRASS (118840 Discontinued)</p>	<p>H-41</p>  <p>(PR)</p>	<p>816301-025 STEEL 816301-055 BRASS</p> <p>REPLACES: 118830 118612 BRASS</p>
 <p>(HV &amp; 2" OLD STYLE)</p>	<p>816556-011 STEEL 816556-041 BRASS</p> <p>REPLACES: 118668 STEEL 118436 BRASS</p>	<p>S-46</p>  <p>(HD-3)</p>	<p>816305-025 STEEL 816305-055 BRASS</p> <p>REPLACES: 118676 STEEL 118439 BRASS</p>
 <p>(1" &amp; 1 1/2" OLD STYLE)</p>	<p>806331-111 NFI</p> <p>REPLACES: 118685-6 STEEL 118434-6 BRASS</p>	<p>H-53</p>  <p>(60-13, 1 1/2 AA)</p>	<p>816303-047 BRASS</p> <p>REPLACES: 186368</p>
<p>S-45 2 1/2" or 3"</p>  <p>(2 1/2" &amp; LD-3)</p>	<p>816305-028 STEEL 816305-058 BRASS</p> <p>REPLACES: 118676 STEEL 118440 BRASS</p>	<p>S-57 H-54</p>  <p>(PD 37) (60-14, 2AA)</p>	<p>816304-017 STEEL 816304-047 BRASS</p> <p>REPLACES: 118629 STEEL 118626 BRASS</p>
<p>S-25</p>  <p>(SERIES 100)</p>	<p>812961-111 NFI</p> <p>REPLACES: 189132</p>	<p>H-52</p>  <p>(50-11, 1AA, 1 1/4 AA)</p>	<p>816302-047 BRASS</p> <p>REPLACES: 186359</p>
<p>S-55</p>  <p>(PD35)</p>	<p>816304-021 STEEL 816304-051 BRASS</p> <p>REPLACES: 118630 STEEL 118627 BRASS</p>		