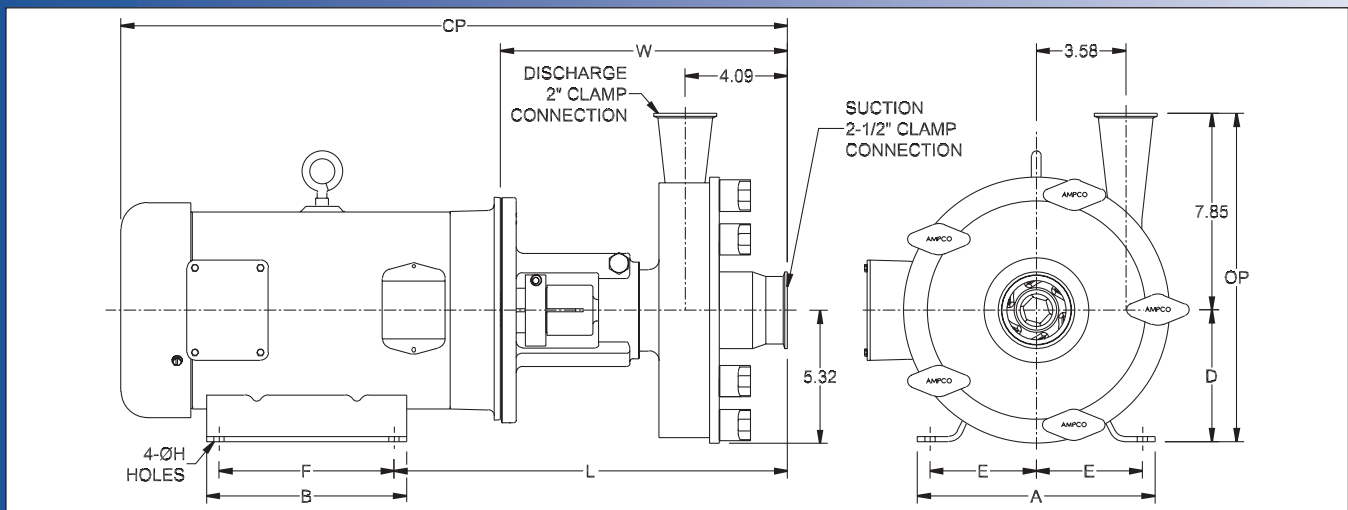
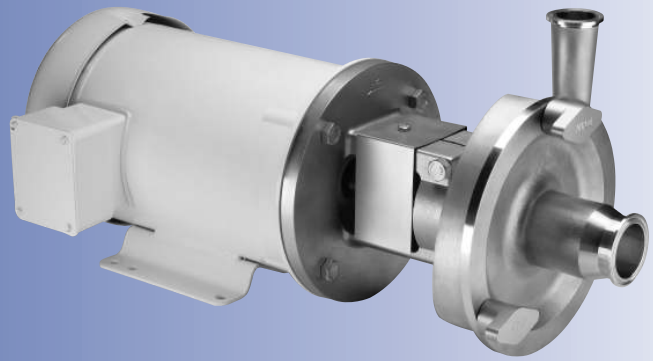


Ampco Centrifugal Pumps

DATA SHEET

MODEL LC-R141 2½X2
MODEL LC-R142 2½X2



TEFC MOTOR			DIMENSIONS IN INCHES (For Reference Only)										APPROX WEIGHT (LBS)
HP	RPM	FRAME	A (typ)	B (typ)	D	E	F	ØH	L	W	CP	OP	
1	1750	143TC	6-1/2	6	3-1/2	2-3/4	4	11/32	13.40	10.65	21.71	11.37	101
1-1/2	1750	145TC	6-1/2	6	3-1/2	2-3/4	5	11/32	13.40	10.65	21.71	11.37	107
2	1750	145TC	6-1/2	6	3-1/2	2-3/4	5	11/32	13.40	10.65	21.71	11.37	110
3	1750	182TC	8-5/8	6-1/2	4-1/2	3-3/4	4-1/2	13/32	14.96	11.46	25.15	12.37	137
5	1750	184TC	8-5/8	6-1/2	4-1/2	3-3/4	5-1/2	13/32	14.96	11.46	25.77	12.37	144
7-1/2	1750	213TC	9-1/2	8	5-1/4	4-1/4	5-1/2	13/32	15.71	11.46	26.64	13.12	161
10	3500	215TC	9-1/2	8	5-1/4	4-1/4	7	13/32	15.71	11.46	26.73	13.12	191
15	3500	215TC	9-1/2	8	5-1/4	4-1/4	7	13/32	15.71	11.46	26.73	13.12	233
20	3500	256TC	11-1/2	11-1/2	6-1/4	5	10	17/32	17.33	12.58	28.61	14.12	336
25	3500	284TSC	12-3/4	12-3/4	7	5-1/2	9-1/2	17/32	18.64	13.89	31.92	14.87	454
30	3500	286TSC	12-3/4	12-3/4	7	5-1/2	11	17/32	18.64	13.89	37.02	14.87	476
40	3500	324TSC	14-1/2	14	8	6-1/4	10-1/2	21/32	19.77	14.52	39.52	15.87	590
50	3500	326TSC	14-1/2	14	8	6-1/4	12	21/32	19.77	14.52	39.52	15.87	699

MATERIAL SPECIFICATIONS

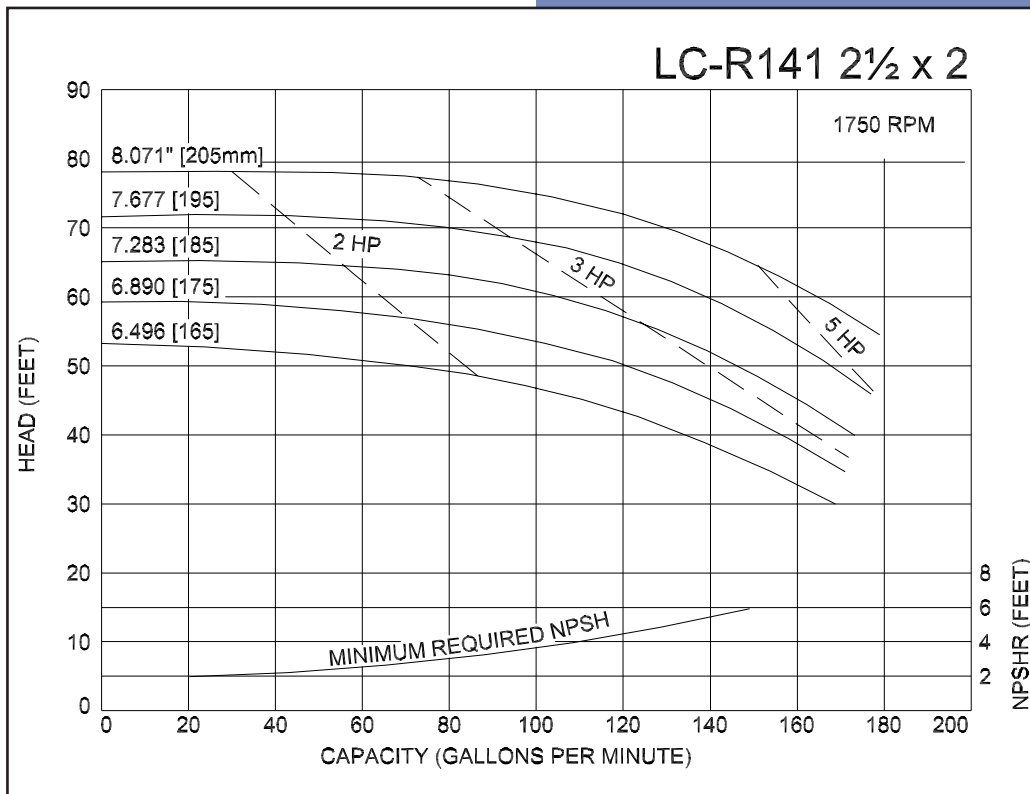
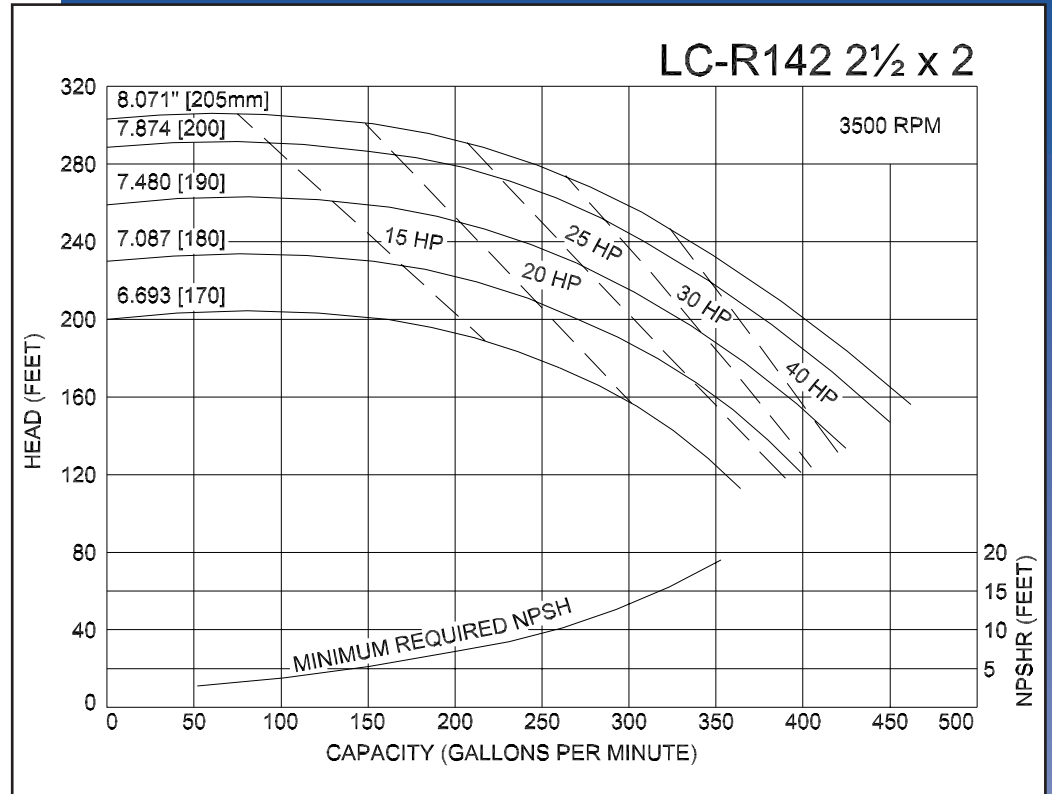
PART NAME	STAINLESS STEEL
Casing, Cover & Impeller	316L Stainless
Stub Shaft	316L Stainless
Adapter	304 Stainless

Ampco Centrifugal Pumps

MODEL LC-R141 2 1/2 X 2
 MODEL LC-R142 2 1/2 X 2

Curves show approximate characteristics based on clear 68° water. Rated point is guaranteed.

LC-Series pumps have standard stainless steel adapters and silicon carbide vs. carbon seals.



LC pumps are in conformance with 3A sanitary standards for centrifugal and positive rotary pumps for milk and milk products, Number 02-09.

LC-Series pumps have a standard 32RA (150 grit) finish, on all product contact surfaces.

Ampco Pumps Company

4424 West Mitchell Street
 Milwaukee, Wisconsin 53214
 PHONE (414) 643-1852
 FAX (414) 643-4452