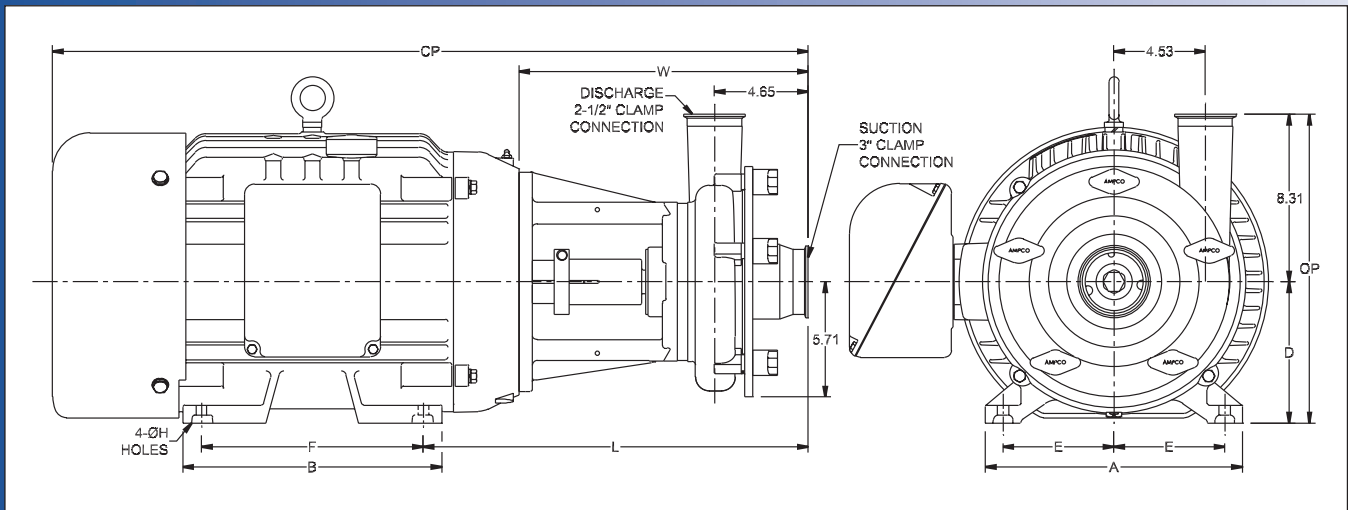
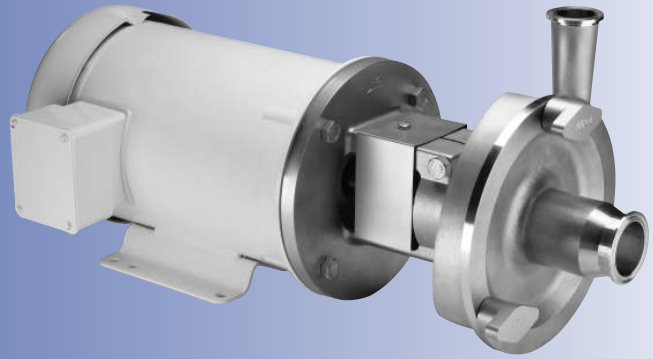


# Ampco Centrifugal Pumps

## DATA SHEET

MODEL LC-V541 3X2<sup>1</sup>/<sub>2</sub>  
MODEL LC-V542 3X2<sup>1</sup>/<sub>2</sub>



TEFC MOTOR			DIMENSIONS IN INCHES (For Reference Only)										APPROX WEIGHT (LBS)
HP	RPM	FRAME	A (typ)	B (typ)	D	E	F	ØH	L	W	CP	OP	
2	1750	145TC	6-1/2	6	3-1/2	2-3/4	5	11/32	13.85	11.10	22.16	11.81	114
3	1750	182TC	8-5/8	6-1/2	4-1/2	2-3/4	4-1/2	13/32	15.41	11.91	25.60	12.81	144
5	1750	184TC	8-5/8	6-1/2	4-1/2	3-3/4	5-1/2	13/32	15.41	11.91	27.09	12.81	151
7-1/2	1750	213TC	9-1/2	8	5-1/4	4-1/4	5-1/2	13/32	16.16	11.91	27.18	13.56	202
10	3500	215TC	9-1/2	8	5-1/4	4-1/4	7	13/32	16.16	11.91	27.18	13.56	198
15	3500	215TC	9-1/2	8	5-1/4	4-1/4	7	13/32	16.16	11.91	29.06	13.56	238
20	3500	256TC	11-1/2	11-1/2	6-1/4	5	10	17/32	17.78	13.03	32.37	14.56	343
25	3500	284TSC	12-3/4	12-3/4	7	5-1/2	9-1/2	17/32	19.10	14.35	37.48	15.31	461
30	3500	286TSC	12-3/4	12-3/4	7	5-1/2	11	17/32	19.10	14.35	37.48	15.31	483
40	3500	324TSC	14-1/2	14	8	6-1/4	10-1/2	21/32	20.23	14.98	39.98	16.31	597
50	3500	326TSC	14-1/2	14	8	6-1/4	12	21/32	20.23	14.98	39.98	16.31	706

## MATERIAL SPECIFICATIONS

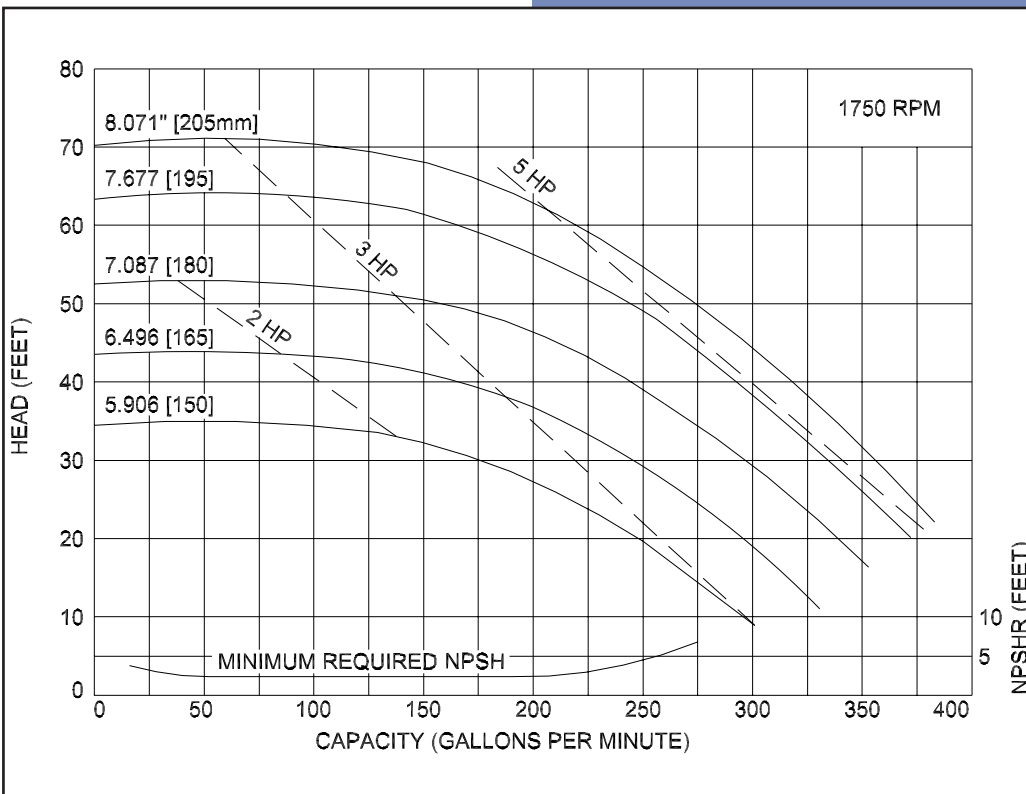
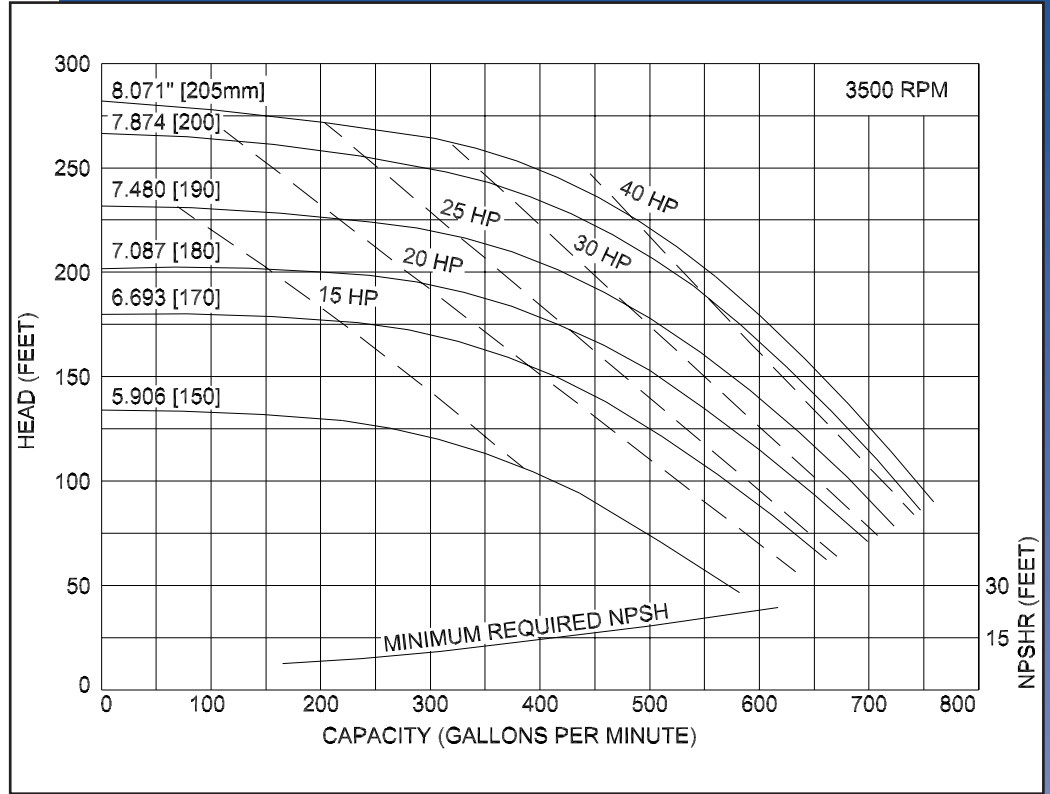
PART NAME	STAINLESS STEEL
Casing, Cover & Impeller	316L Stainless
Stub Shaft	316L Stainless
Adapter	304 Stainless

MODEL LC-V541 3X2½  
 MODEL LC-V542 3X2½

# Ampco Centrifugal Pumps

Curves show approximate characteristics based on clear 68° water.  
 Rated point is guaranteed.

LC-Series pumps have standard stainless steel adapters and silicon carbide vs. carbon seals.



LC pumps are in conformance with 3A sanitary standards for centrifugal and positive rotary pumps for milk and milk products, Number 02-09.

LC-Series pumps have a standard 32RA (150 grit) finish, on all product contact surfaces.

## Ampco Pumps Company

4424 West Mitchell Street  
 Milwaukee, Wisconsin 53214  
 PHONE (414) 643-1852  
 FAX (414) 643-4452